

# Sediment FILTERS



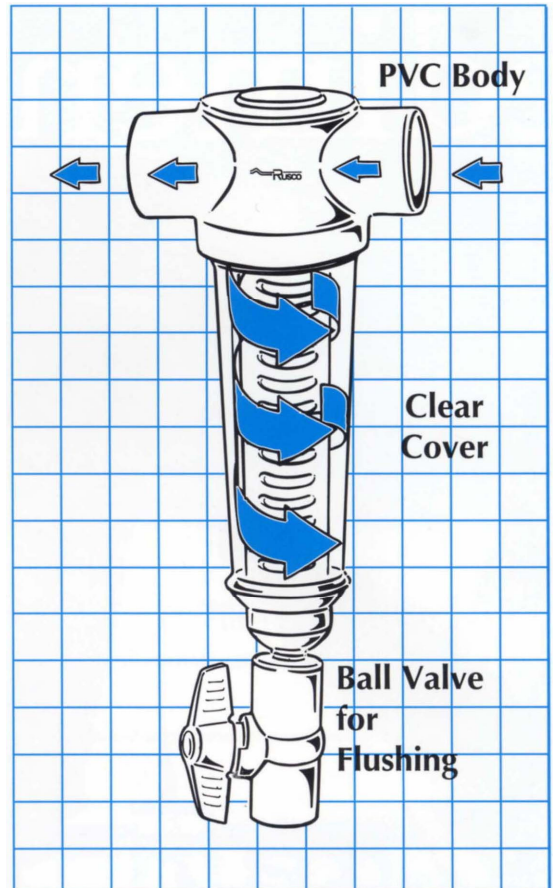
## Sediment Filters

Rusco's complete line of Spindown™ Sediment and Sediment Trapper Model Filters make solid particle removal simple and economical.

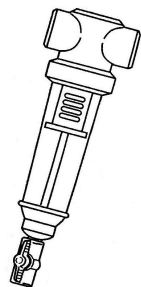
- Centrifuge Spin-Down type sediment separation
- Clear cover easily removed for total cleaning (no tools required)
- Sediment is visible through cover indicating when filter needs cleaning
- Rinsable & reusable polyester and stainless steel screens are available in various mesh sizes
- Flow capacity for entire system
- All molded non-corrosive materials
- Available in 4 sizes:
  - 3/4" MPT
  - 1" Slip x Slip
  - 1 1/2" Slip x Slip
  - 2" Slip x Slip
- 1/2" MPT nipple on bottom of cover for connection of plastic ball valve for easy purging.



The **SEDIMENT TRAPPER** version has a longer clear cover and slightly shorter filter screen so that sediment settles at the bottom of the cover away from the filter screen reducing the chance of flow disruption.



Spin Down Filter Dimensions				
Size	3/4"	1"	1 1/2"	2"
Length	11 3/8"	11 3/8"	15 3/8"	17 7/8"
Width	7 1/4"	5"	5 1/4"	5 1/2"



Sediment Trapper Filter Dimensions				
Size	3/4"	1"	1 1/2"	2"
Length	14 3/8"	14 3/8"	15 3/8"	17 7/8"
Width	7 1/4"	5"	5 1/4"	5 1/2"

Screen Sizes		
Mesh	Microns	Opening
24	711	.028"
30	533	.021"
40	381	.015"
60	254	.010"
100	152	.006"
140	104	.004"
250	61	.0024"
500	30	.0012"
1000	15	.0006"

Screen Sizes in blue are also available in stainless steel.



[www.filtertechofgeorgia.com](http://www.filtertechofgeorgia.com)

# Sediment FILTERS



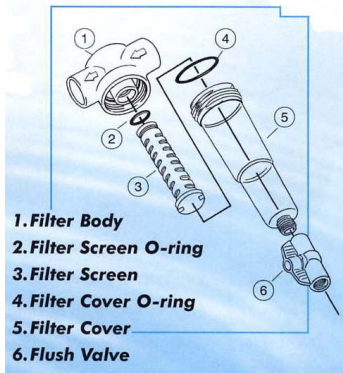
## Filter Model Numbers

### Spindown Filter Model Numbers

Mesh Sizes	1" Polyester	1 1/2" Polyester	2" Polyester	1" Stainless Steel Screen	1 1/2" Stainless Steel	2" Stainless Steel Screen
24	1-24-F	1-1/2-24-F	2-24-F			
30	1-30-F	1-1/2-30-F	2-30-F	1-30SS-F	1 1/2-30SS-F	2-30SS-F
40	1-40-F	1-1/2-40-F	2-40-F			
60	1-60-F	1-1/2-60-F	2-60-F	1-60SS-F	1 1/2-60SS-F	2-60SS-F
100	1-100-F	1-1/2-100-F	2-100-F	1-100SS-F	1 1/2-100SS-F	2-100SS-F
140	1-140-F	1-1/2-140-F	2-140-F	1-140SS-F	1 1/2-140SS-F	2-140SS-F
250	1-250-F	1-1/2-250-F	2-250-F	1-200SS-F	1 1/2-200SS-F	2-200SS-F
500	1-500-F	1-1/2-500-F	2-500-F			
1000	1-1000-F	1-1/2-1000-F	2-1000-F			

### Sediment Trapper Filter Model Numbers

Mesh Sizes	1" Polyester	1 1/2" Polyester	2" Polyester	1" Stainless Steel Screen	1 1/2" Stainless Steel	2" Stainless Steel Screen
24	1-24ST-F	1-1/2-24ST-F	2-24ST-F			
30	1-30ST-F	1-1/2-30ST-F	2-30ST-F	1-30STSS-F	1 1/2-30STSS-F	2-30STSS-F
40	1-40ST-F	1-1/2-40ST-F	2-40ST-F			
60	1-60ST-F	1-1/2-60ST-F	2-60ST-F	1-60STSS-F	1 1/2-60STSS-F	2-60STSS-F
100	1-100ST-F	1-1/2-100ST-F	2-100ST-F	1-100STSS-F	1 1/2-100STSS-F	2-100STSS-F
140	1-140ST-F	1-1/2-140ST-F	2-140ST-F	1-140STSS-F	1 1/2-140STSS-F	2-140STSS-F
250	1-250ST-F	1-1/2-250ST-F	2-250ST-F	1-200STSS-F	1 1/2-200STSS-F	2-200STSS-F
500	1-500ST-F	1-1/2-500ST-F	2-500ST-F			
1000	1-1000ST-F	1-1/2-1000ST-F	2-1000ST-F			



### Parts List

Size	Filter bodies	O-Rings	Spin-Down Cover	Sediment Trapper Cover
1"	1B	1OR	1C	1CST
1 1/2"	1.5B	1.5OR	1.5C	1.5CST
2"	2B	2OR	2C	2CST

0.5" Flush Valve

.5FV



www.filtertechofgeorgia.com